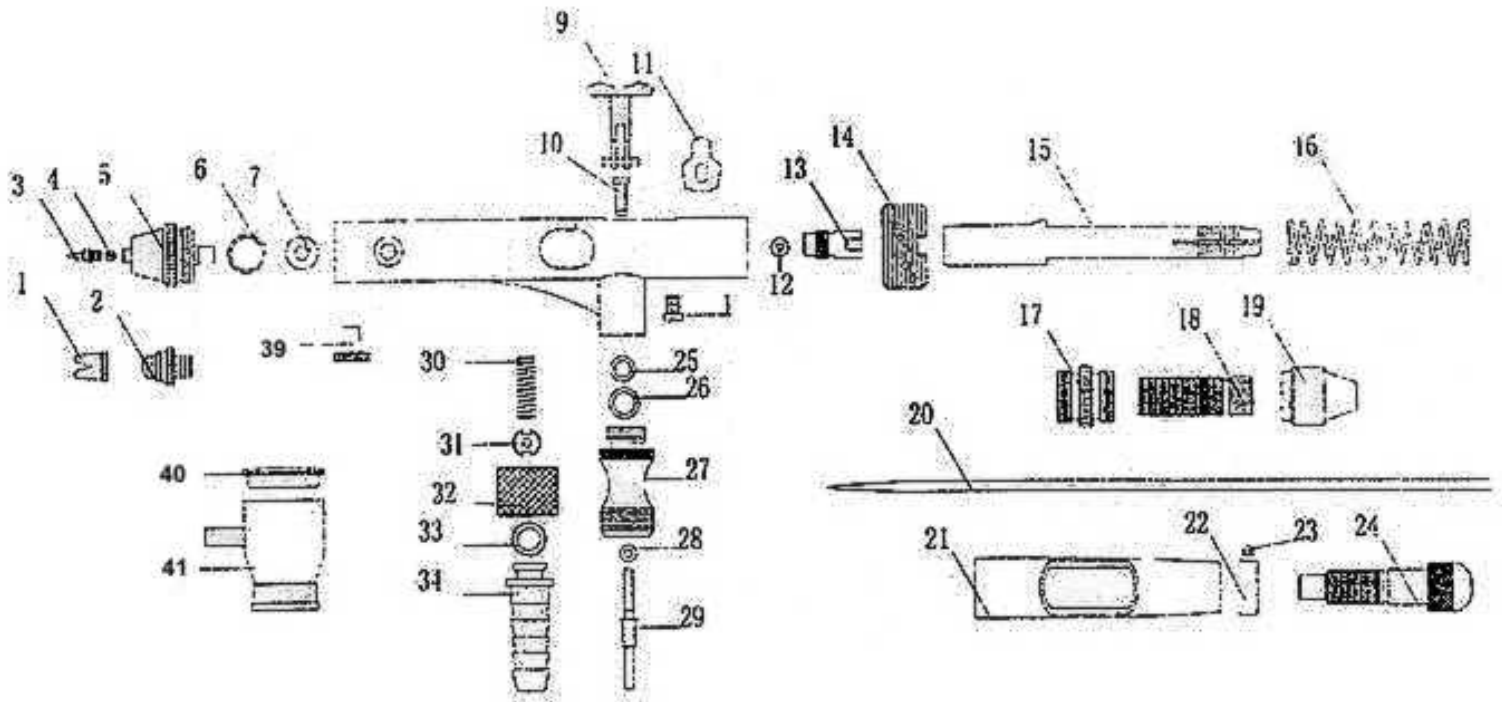


# Master Airbrush Brand - Model SB82

## Parts Breakdown



#	Part Description	Part #	#	Part Description	Part #	#	Part Description	Part #
1	Needle Cap	P44-1	15	Needle Chucking Guide	P44-15	28	Valve Rod O-Ring	P44-28
2	Nozzle Cap	P44-2	16	Spring	P44-16	29	Valve Rod	P44-29
3	Nozzle .2mm	P44-3	17	Linker	P44-17	30	Valve Rod Spring	P44-30
4	Nozzle Cap O-Ring	P44-4	18	Spring Case	P44-18	31	Valve Spring Screw	P44-31
5	Air Cap Body	P44-5	19	Needle Chucking Nut	P44-19	32	Hose Connector Nut	P44-32
6	O-Ring for Air Cap Body	P44-6	20	Needle .2mm	P44-20	33	Hose Connector O-Ring	P44-33
7	Seal for Air Cap Body	P44-7	21	Open Chuck Handle, Adj	P44-21	34	Hose Connector Barb	P44-34
9	Trigger	P44-9	22	Bushing	P44-22	39	Side Mount Plug	P44-39
10	Trigger Plunger	P44-10	23	Bush Lock Screw	P44-23	40	Side Mount Cup Lid	P44-40
11	Secondary Lever Guide	P44-11	24	Needle Adj. Screw	P44-24	41	Side Mount Cup	P44-41
12	Needle Guide O-Ring	P44-12	25	Plunger O-Ring	P44-25			
13	Needle Guide	P44-13	26	Air Valve O-Ring	P44-26			
14	Stopper	P44-14	27	Valve Body	P44-27			

All parts for this Master Airbrush are in stock at our TCPglobal Warehouse and are available at our website:

[www.TCPglobal.com](http://www.TCPglobal.com)

Support is available at (858) 909-2130 or by email at [Support@tcpglobal.com](mailto:Support@tcpglobal.com)

Visit us at [www.TCPglobal.com](http://www.TCPglobal.com) for all your airbrush supplies, as we have the **Most Complete Airbrush Center on the Worldwide Web!**