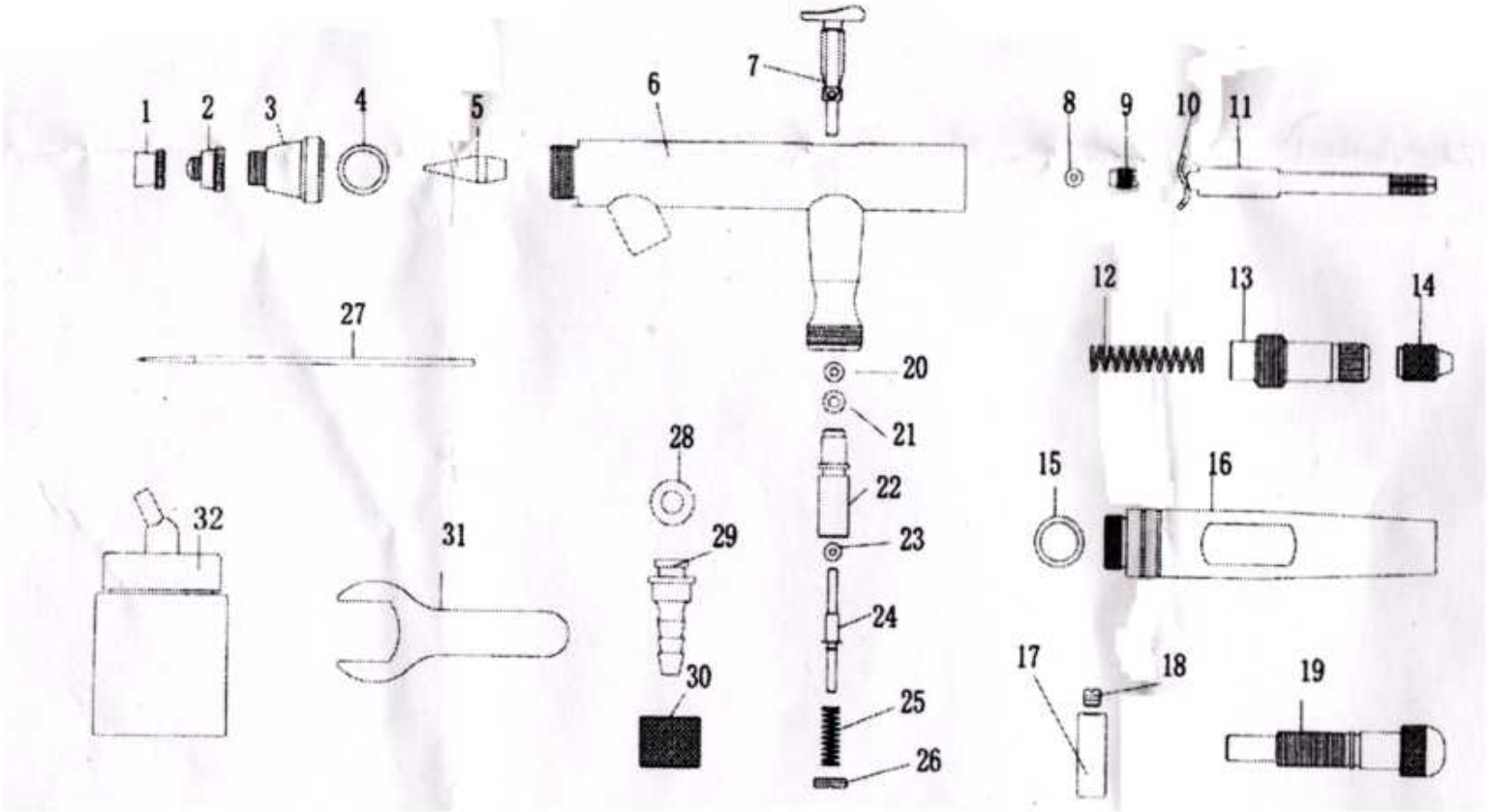


Master Airbrush Brand - Model S62 Parts Breakdown



#	Part Description	Part #	#	Part Description	Part #	#	Part Description	Part #
1	Needle Cap	P62-1	12	Spring	P62-12	23	Valve Rod O-Ring	P62-23
2	Nozzle Cap	P62-2	13	Spring Case	P62-13	24	Valve Rod	P62-24
3	Head Cap	P62-3	14	Needle Chucking Nut	P62-14	25	Valve Spring	P62-25
4	Nozzle Cap O-Ring	P62-4	15	O-Ring	P62-15	26	Valve Screw	P62-26
5	Nozzle	P62-5	16	Open Chuck Adj. Handle	P62-16	27	Needle	P62-27
6	Airbrush Body	P62-6	17	Bush	P62-17	28	Hose Connector O-Ring	P62-28
7	Trigger Lever	P62-7	18	Filature	P62-18	29	Hose Connector	P62-29
8	Needle Packing	P62-8	19	Adjusting Screw	P62-19	30	Hose Connector Nut	P62-30
9	Needle Packing Screw	P62-9	20	O-Ring	P62-20	31	Head Cap Spanner	P62-31
10	Trigger Guide	P62-10	21	O-Ring	P62-21	32	22cc Glass Jar Assembly	P62-32
11	Needle Chucking Guide	P62-11	22	Body Air Valve Guide	P62-22			

All parts for this Master Airbrush are in stock at our TCPglobal Warehouse and are available at our website:

www.TCPglobal.com

Support is available at (858) 909-2130 or by email at Support@tcpglobal.com

Visit us at www.TCPglobal.com for all your airbrush supplies, as we have the

Most Complete Airbrush Center on the Worldwide Web!