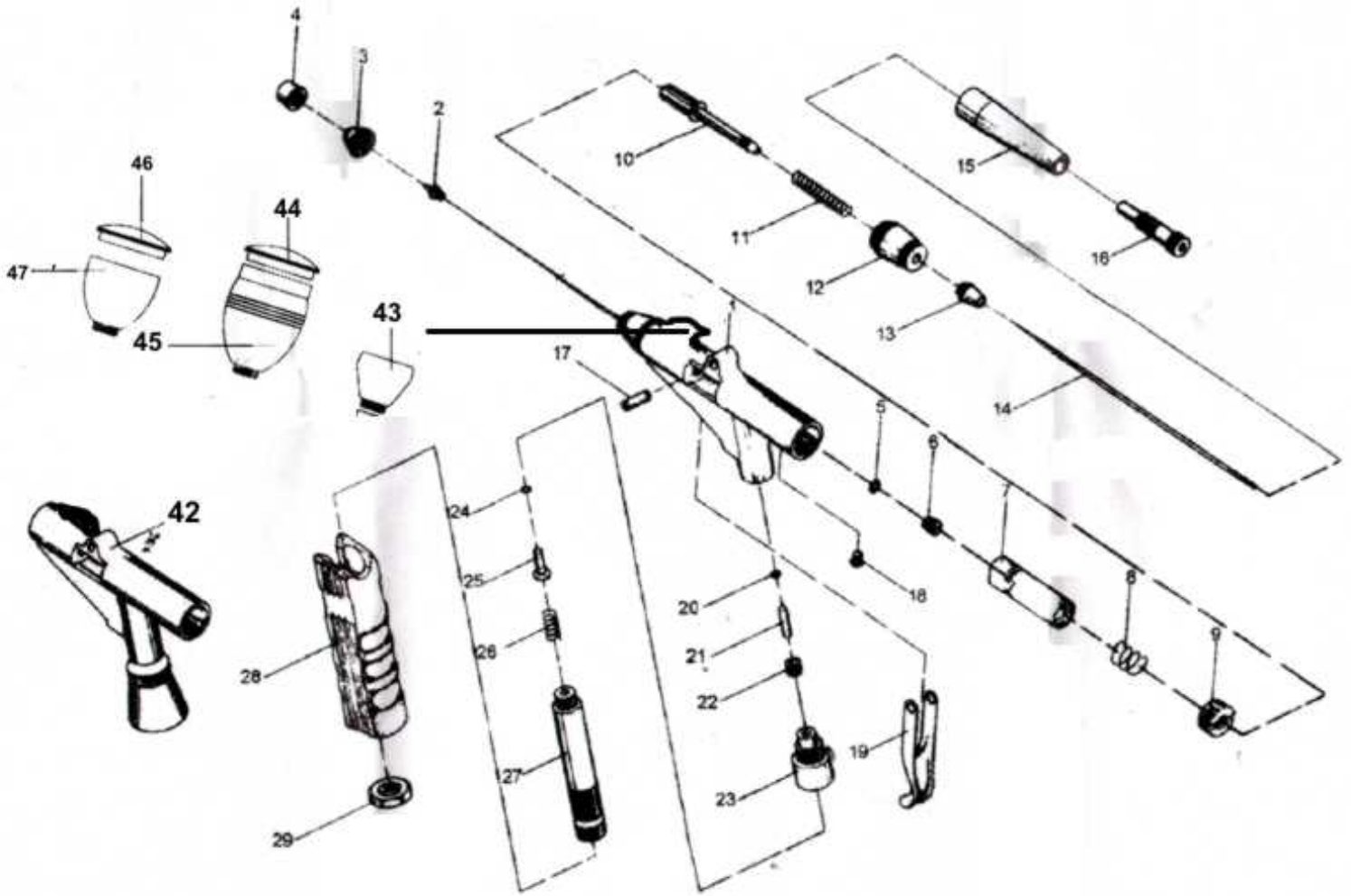


Master Airbrush Brand - Model G76

Parts Breakdown



#	Part Description	Part #	#	Part Description	Part #	#	Part Description	Part #
1	Airbrush Body	P70-1	13	Needle Chucking Nut	P70-13	25	Valve Screw	P70-25
2	Fluid Nozzle .3mm	P70-2	14	Fluid Needle	P70-14	26	Spring	P70-26
3	Nozzle Cap	P70-3	15	Tail Cover	P70-15	27	Valve Spindle	P70-27
4	Needle Cap	P70-4	16	Micro Adjustment Screw	P70-16	28	Holder	P70-28
5	Needle Packing O-Ring	P70-5	17	Trigger Bolt	P70-17	29	Hexagon Nut	P70-29
6	Needle Packing Nut	P70-6	18	Secure Screw	P70-18	40	Wrench	P70-40
7	Needle Nut	P70-7	19	Trigger	P70-19	42	Gravity Airbrush Frame	P70-42
8	Spring	P70-8	20	O-Ring	P70-20	43	1/16 oz. Gravity Cup	P70-43
9	Stop Screw	P70-9	21	Relieve Valve Stem	P70-21	44	1/2 oz. Cup Cover	P70-44
10	Needle Guide	P70-10	22	Seal Screw	P70-22	45	1/2 oz. Gravity Cup	P70-45
11	Spring	P70-11	23	Valve Assembly	P70-23	46	1/6 oz. Cup Cover	P70-46
12	Nut	P70-12	24	O-Ring	P70-24	47	1/6 oz. Gravity Cup	P70-47

All parts for this Master Airbrush are in stock at our TCPglobal Warehouse and are available at our website:

www.TCPglobal.com

Support is available at (858) 909-2130 or by email at Support@tcpglobal.com

Visit us at www.TCPGlobal.com for all your airbrush supplies, as we have the **Most Complete Airbrush Center on the Worldwide Web!**