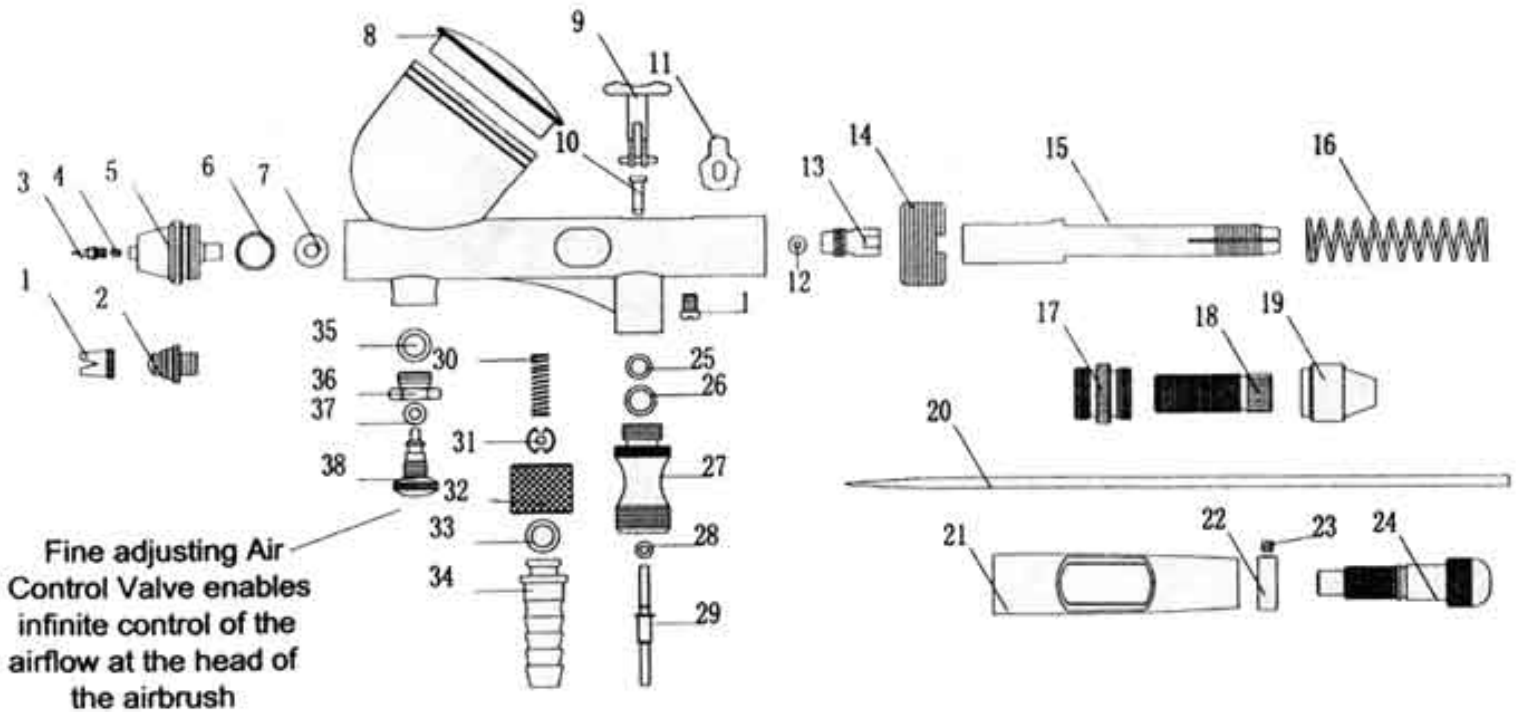


Master Airbrush Brand - Model G43

Parts Breakdown



#	Part Description	Part #	#	Part Description	Part #	#	Part Description	Part #
1	Needle Cap	P44-1	14	Stopper	P44-14	27	Valve Body	P44-27
2	Nozzle Cap	P44-2	15	Needle Chucking Guide	P44-15	28	Valve Rod O-Ring	P44-28
3	Nozzle .2mm	P44-3	16	Spring	P44-16	29	Valve Rod	P44-29
4	Nozzle Cap O-Ring	P44-4	17	Linker	P44-17	30	Valve Rod Spring	P44-30
5	Air Cap Body	P44-5	18	Spring Case	P44-18	31	Valve Spring Screw	P44-31
6	O-Ring for Air Cap Body	P44-6	19	Needle Chucking Nut	P44-19	32	Hose Connector Nut	P44-32
7	Seal for Air Cap Body	P44-7	20	Needle .2mm	P44-20	33	Hose Connector O-Ring	P44-33
8	Lid for Color Cup	P44-8	21	Open Chuck Handle, Adj	P44-21	34	Hose Connector Barb	P44-34
9	Trigger	P44-9	22	Bushing	P44-22	35	Micro Air Adj. O-Ring	P44-35
10	Trigger Plunger	P44-10	23	Bush Lock Screw	P44-23	36	Air Adj. Lock Nut	P44-36
11	Secondary Lever Guide	P44-11	24	Needle Adj. Screw	P44-24	37	Micro Air Adj. O-Ring	P44-37
12	Needle Guide O-Ring	P44-12	25	Plunger O-Ring	P44-25	38	Micro Valve Air Adj.	P44-38
13	Needle Guide	P44-13	26	Air Valve O-Ring	P44-26			

All parts for this Master Airbrush are in stock at our TCPglobal Warehouse and are available at our website:

www.TCPglobal.com

Support is available at (858) 909-2130 or by email at Support@tcpglobal.com

Visit us at www.TCPglobal.com for all your airbrush supplies, as we have the **Most Complete Airbrush Center on the Worldwide Web!**