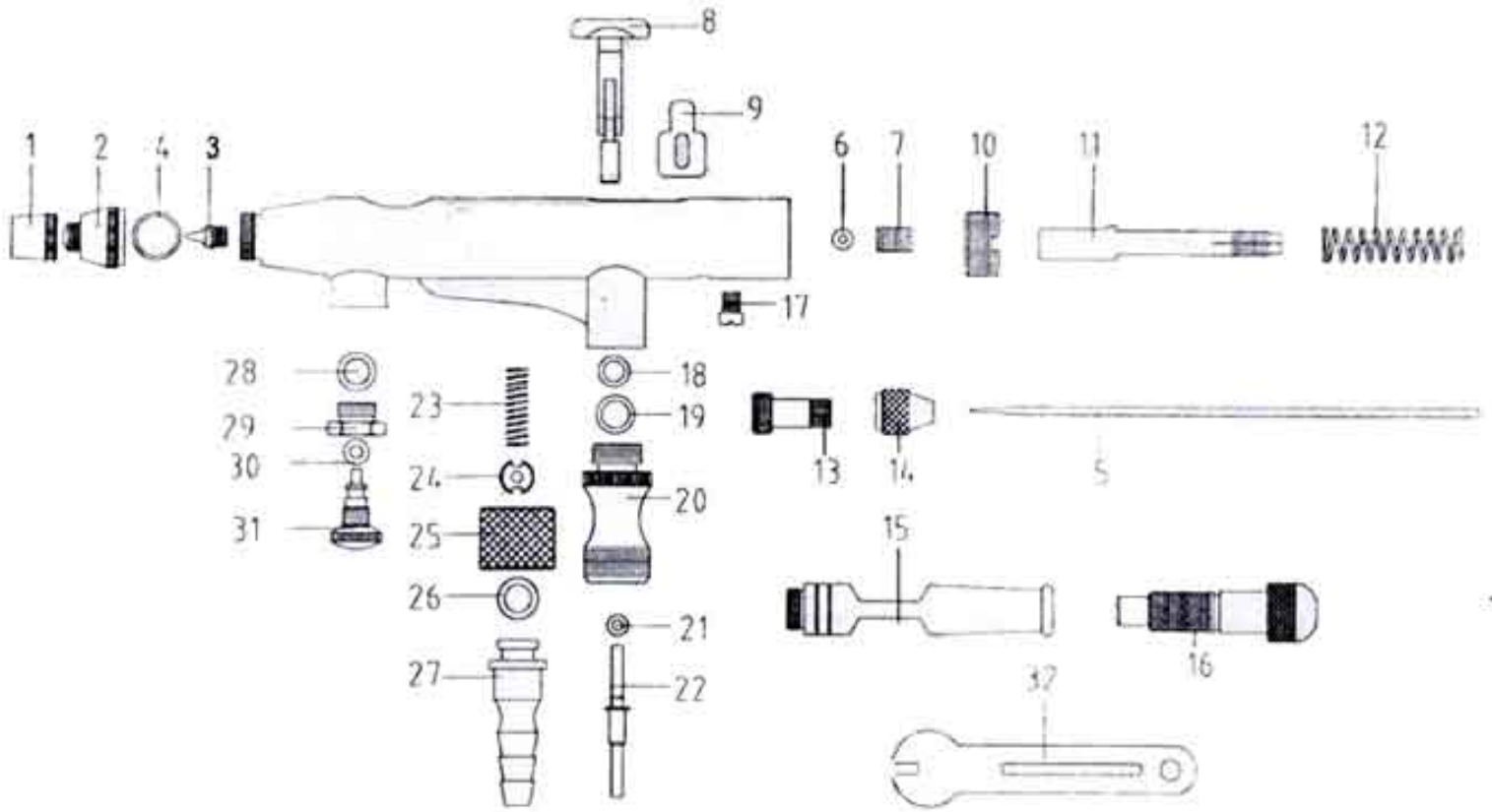


# Master Airbrush Brand - Model G41

## Parts Breakdown



#	Part Description	Part #	#	Part Description	Part #	#	Part Description	Part #
1	Needle Cap	P40-1	12	Spring	P40-12	23	Valve Rod Spring	P40-23
2	Nozzle Cap	P40-2	13	Spring Case	P40-13	24	Valve Spring Screw	P40-24
3	Nozzle .2mm	P40-3	14	Needle Chucking Nut	P40-14	25	Hose Connector Nut	P40-25
4	Nozzle Cap O-Ring	P40-4	15	Open Chuck Handle, Adj.	P40-15	26	Hose Connector O-Ring	P40-26
5	Needle .2mm	P40-5	16	Needle Adjusting Screw	P40-16	27	Hose Connector Barb	P40-27
6	Needle Guide O-Ring	P40-6	17	Guide Lock Screw	P40-17	28	Micro Air Adj. O-Ring	P40-28
7	Needle Guide	P40-7	18	Trigger Plunger O-Ring	P40-18	29	Air Adj. Lock Nut	P40-29
8	Trigger	P40-8	19	Valve Rod O-Ring	P40-19	30	Micro Air Adj. O-Ring	P40-30
9	Secondary Lever Guide	P40-9	20	Valve Body	P40-20	31	Micro Valve Air Adj.	P40-31
10	Stopper	P40-10	21	Valve Rod O-Ring	P40-21	32	Nozzle Spanner	P40-32
11	Needle Chucking Guide	P40-11	22	Bushing	P40-22			

All parts for this Master Airbrush are in stock at our TCPglobal Warehouse and are available at our website:

**[www.TCPglobal.com](http://www.TCPglobal.com)**

Support is available at (858) 909-2130 or by email at [Support@tcpglobal.com](mailto:Support@tcpglobal.com)

Visit us at [www.TCPglobal.com](http://www.TCPglobal.com) for all your airbrush supplies, as we have the **Most Complete Airbrush Center on the Worldwide Web!**