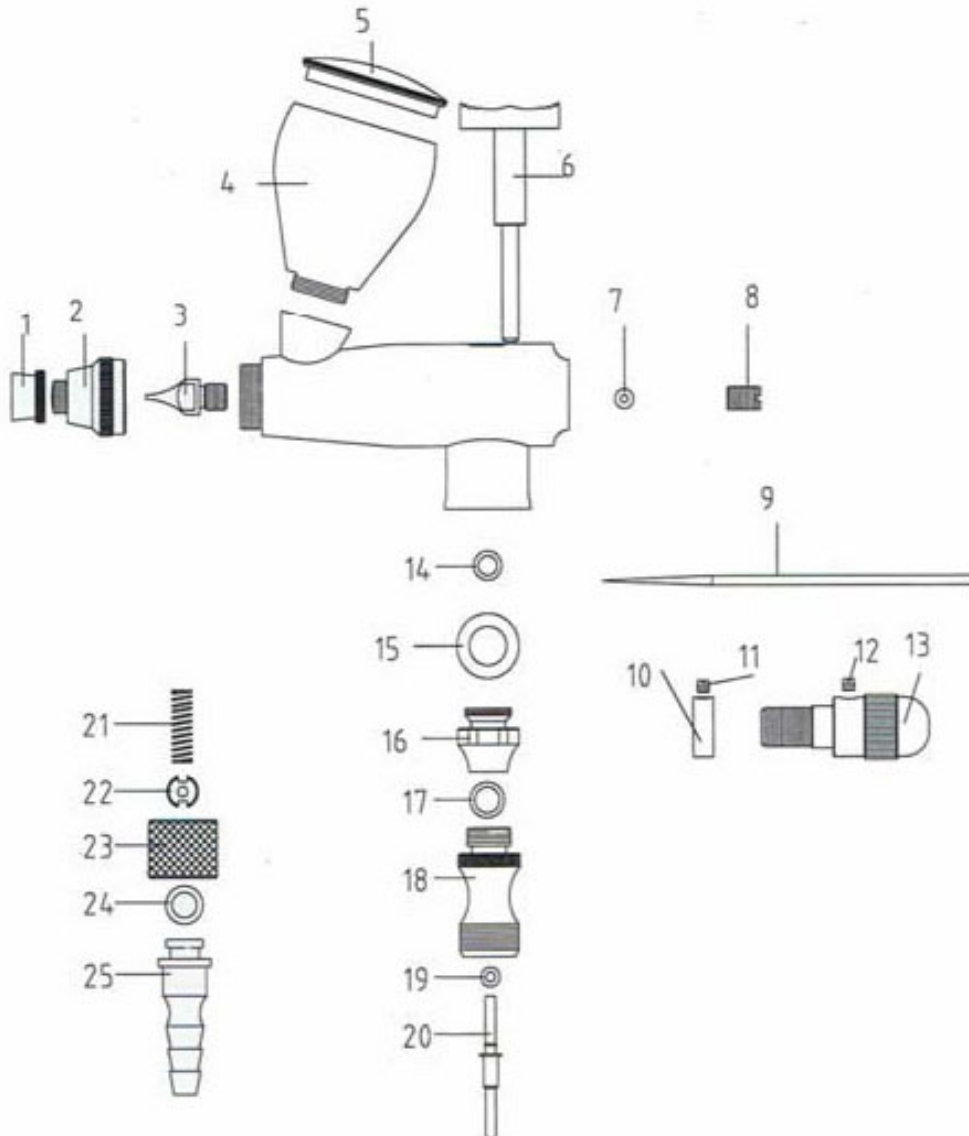


## Master Airbrush Brand - Model G36



#	Part Description	Part #
1	Needle Cap	P36-1
2	Nozzle Cap	P36-2
3	Nozzle .3mm	P36-3
4	7cc Color Cup	P36-4
5	Lid for Color Cup	P36-5
6	Trigger	P36-6
7	Needle Packing	P36-7
8	Needle Packing Nut	P36-8
9	Needle .3mm	P36-9
10	Bushing	P36-10
11	Stopper	P36-11
12	Lock Screw	P36-12
13	Adjusting Screw	P36-13
14	O-Ring	P36-14
15	O-Ring	P36-15
16	Linker	P36-16
17	O-Ring	P36-17
18	Valve Body	P36-18
19	Valve O-Ring	P36-19
20	Valve Rod	P36-20
21	Valve Rod Spring	P36-21
22	Valve Screw	P36-22
23	Hose Connector Nut	P36-23
24	Hose Connector O-Ring	P36-24
25	Hose Connector	P36-25

All parts for this Master Airbrush are in stock at our TCPglobal Warehouse and are available at our website:

**[www.TCPglobal.com](http://www.TCPglobal.com)**

Support is available at (858) 909-2130 or by email at [Support@tcpglobal.com](mailto:Support@tcpglobal.com)

Visit us at [www.TCPglobal.com](http://www.TCPglobal.com) for all your airbrush supplies, as we have the **Most Complete Airbrush Center on the Worldwide Web!**