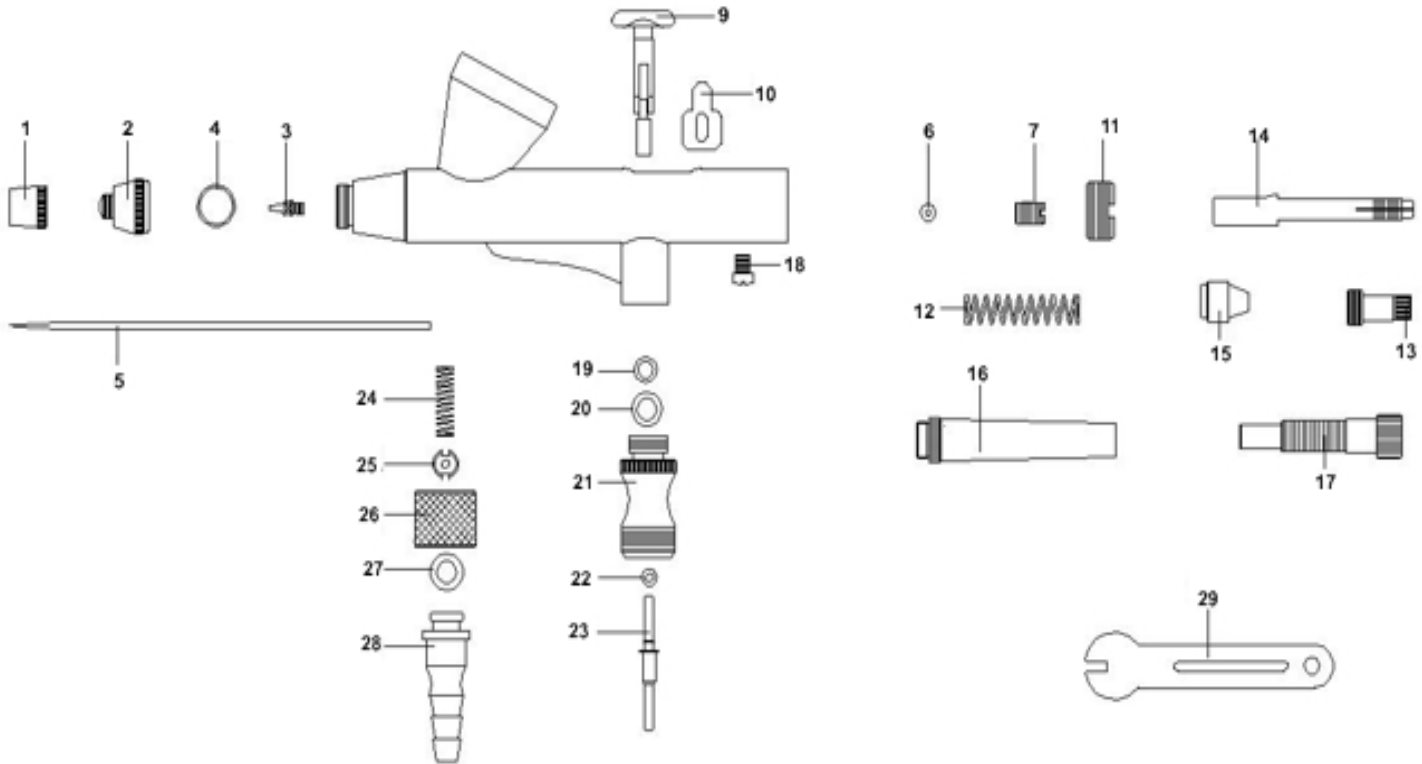


Master Airbrush Brand - Model G34

Precision Dual-Action Gravity Feed Airbrush

Parts Breakdown



#	Part Description	Part #	#	Part Description	Part #	#	Part Description	Part #
1	Needle Cap	P20-1	10	Lever Guide	P20-10	20	Valve Body O-Ring	P20-20
2	Nozzle Cap	P20-2	11	Stopper	P20-11	21	Valve Body	P20-21
3A	Nozzle .2mm	P20-3A	12	Needle Chucking Guide	P20-12	22	Valve Rod O-Ring	P20-22
3B	Nozzle .3mm	P20-3B	13	Spring	P20-13	23	Valve Rod	P20-23
4	Nozzle Cap O-Ring	P20-4	14	Needle Adjust Sleeve	P20-14	24	Valve Rod Spring	P20-24
5A	Needle .2mm	P20-5A	15	Needle Chucking Nut	P20-15	25	Valve Screw	P20-25
5B	Needle .3mm	P20-5B	16	Standard Handle	P20-16	26	Hose Connector Nut	P20-26
6	Needle Packing	P20-6	17	Needle Adj. Screw	P20-17	27	Hose Connector O-Ring	P20-27
7	Needle Packing Nut	P20-7	18	Guide Lock Screw	P20-18	28	Hose Connector Barb	P20-28
9	Trigger	P20-9	19	Trigger Plunger O-Ring	P20-19	29	Nozzle Spanner	P20-29

All parts for this Master Airbrush are in stock at our TCPglobal Warehouse and are available at our website:

www.TCPglobal.com

Support is available at (858) 909-2120 or by email at Support@Airbrush-Depot.com

Visit us at www.TCPglobal.com for all your airbrush supplies, as we have the

Most Complete Airbrush Center on the Worldwide Web!