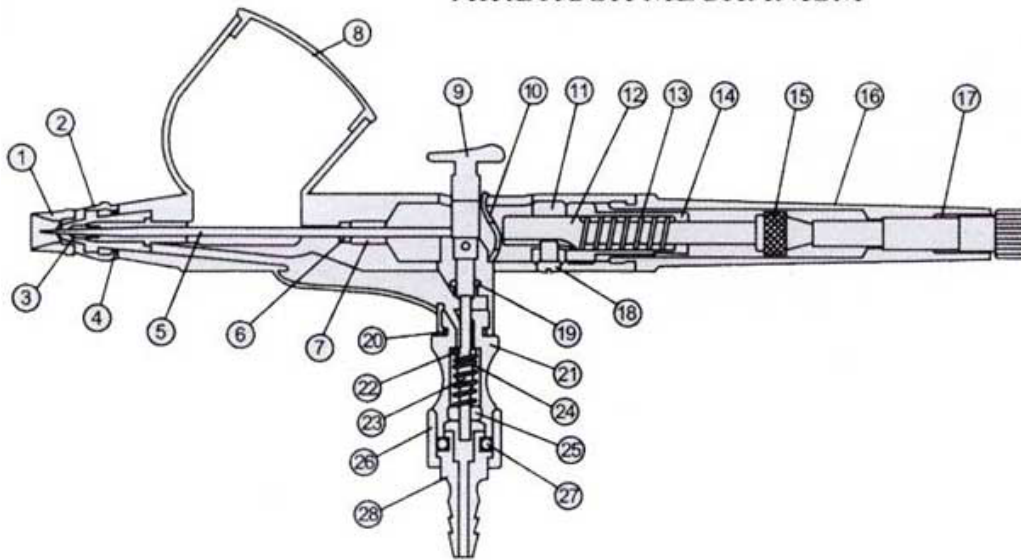
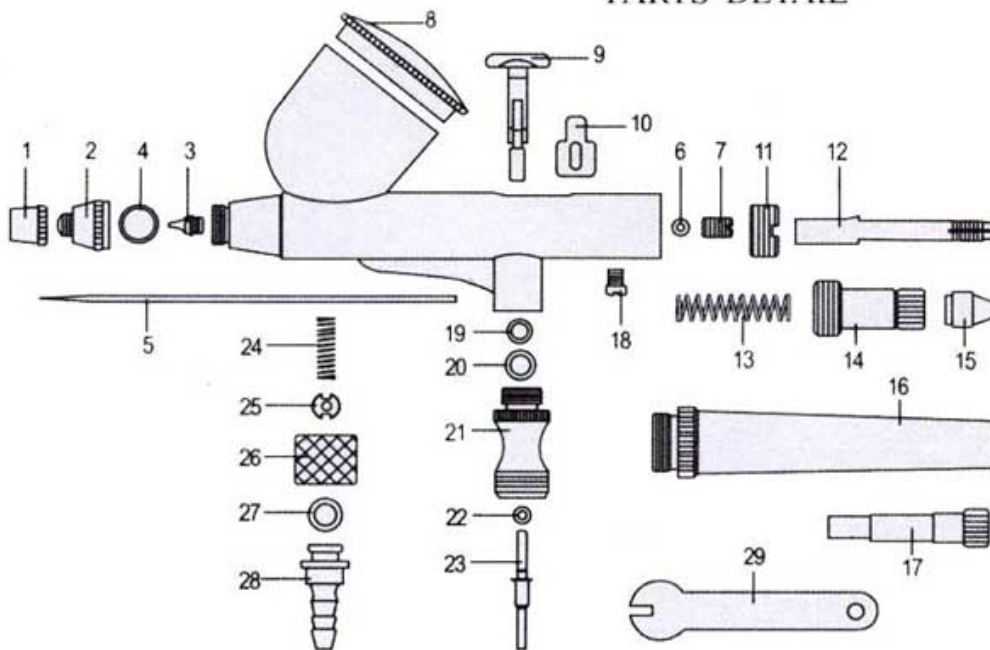


Master Airbrush Brand - Model G22, G222-SET & G23, G233-SET

AIRBRUSH MECHANISM



PARTS DETAIL



#	Part Description	Part #
1	Needle Cap	P20-1
2	Nozzle Cap	P20-2
3	Nozzle .2mm	P20-3
3A	Nozzle .3mm	P20-3A
4	Nozzle Cap O-Ring	P20-4
5	Needle .2mm	P20-5
5A	Needle .3mm	P20-5A
6	Needle Packing	P20-6
7	Needle Packing Nut	P20-7
8	Lid for Color Cup	P20-8
9	Trigger	P20-9
10	Lever Guide	P20-10
11	Stopper	P20-11
12	Needle Chucking Guide	P20-12
13	Spring	P20-13
14	Needle Adjust Sleeve	P20-14
15	Needle Chucking Nut	P20-15
16	Standard Handle	P20-16
17	Needle Adj. Screw	P20-17
18	Guide Lock Screw	P20-18
19	Trigger Plunger O-Ring	P20-19
20	Valve Body O-Ring	P20-20
21	Valve Body	P20-21
22	Valve Rod Spring	P20-22
23	Valve Rod	P20-23
24	Valve Rod Spring	P20-24
25	Valve Screw	P20-25
26	Hose Connector Nut	P20-26
27	Hose Connector O-Ring	P20-27
28	Hose Connector Barb	P20-28
29	Nozzle Spanner	P20-29

Parts for Master Airbrush are in stock at our TCP Global Warehouses and are available at our website:

www.TCPGlobal.com

Support is available at (858) 909-2110 or by email at Support@tcpglobal.com

Visit us at www.TCPGlobal.com for all of your airbrushing supplies

We have the Most Complete Airbrush Center on the Web!



WARNING: This product contains one or more chemicals known to the state of California to cause cancer and birth defects or other reproductive harm.

www.P65Warnings.ca.gov