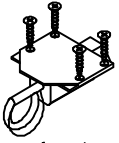


# Assembling Instruction For W01B

## Hardware



A\*1



B\*1



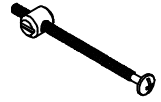
C\*1



D\*4

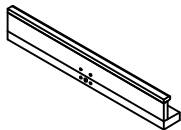


E\*4

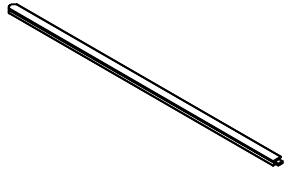


F\*1

## Components



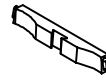
① 1pc



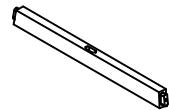
② 1pc



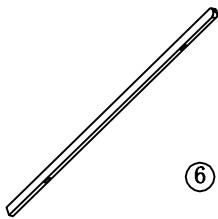
③ 1pc



④ 1pc



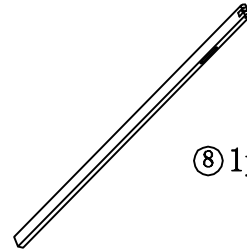
⑤ 1pc



⑥ 2pcs

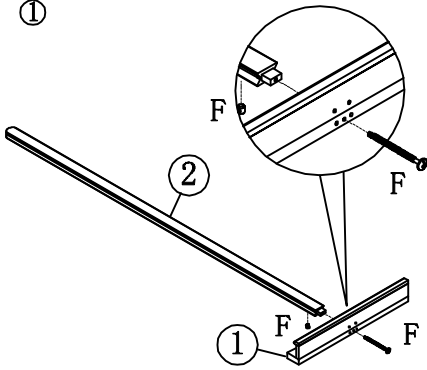


⑦ 1pc

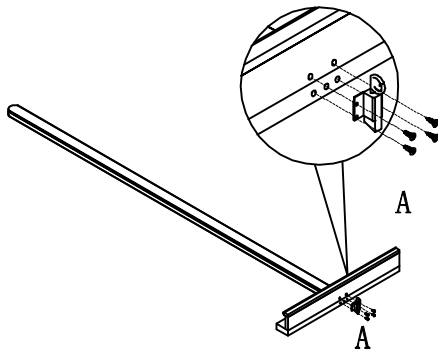


⑧ 1pc

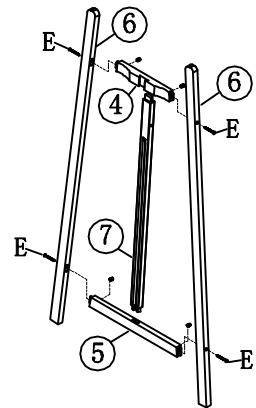
①



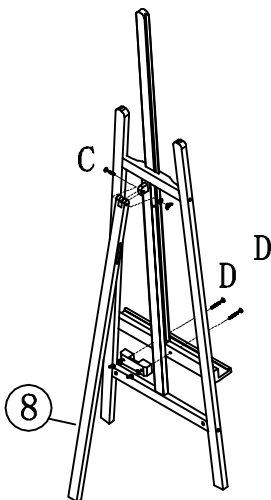
②



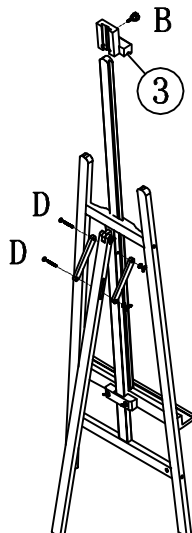
③



④



⑤



⑥

