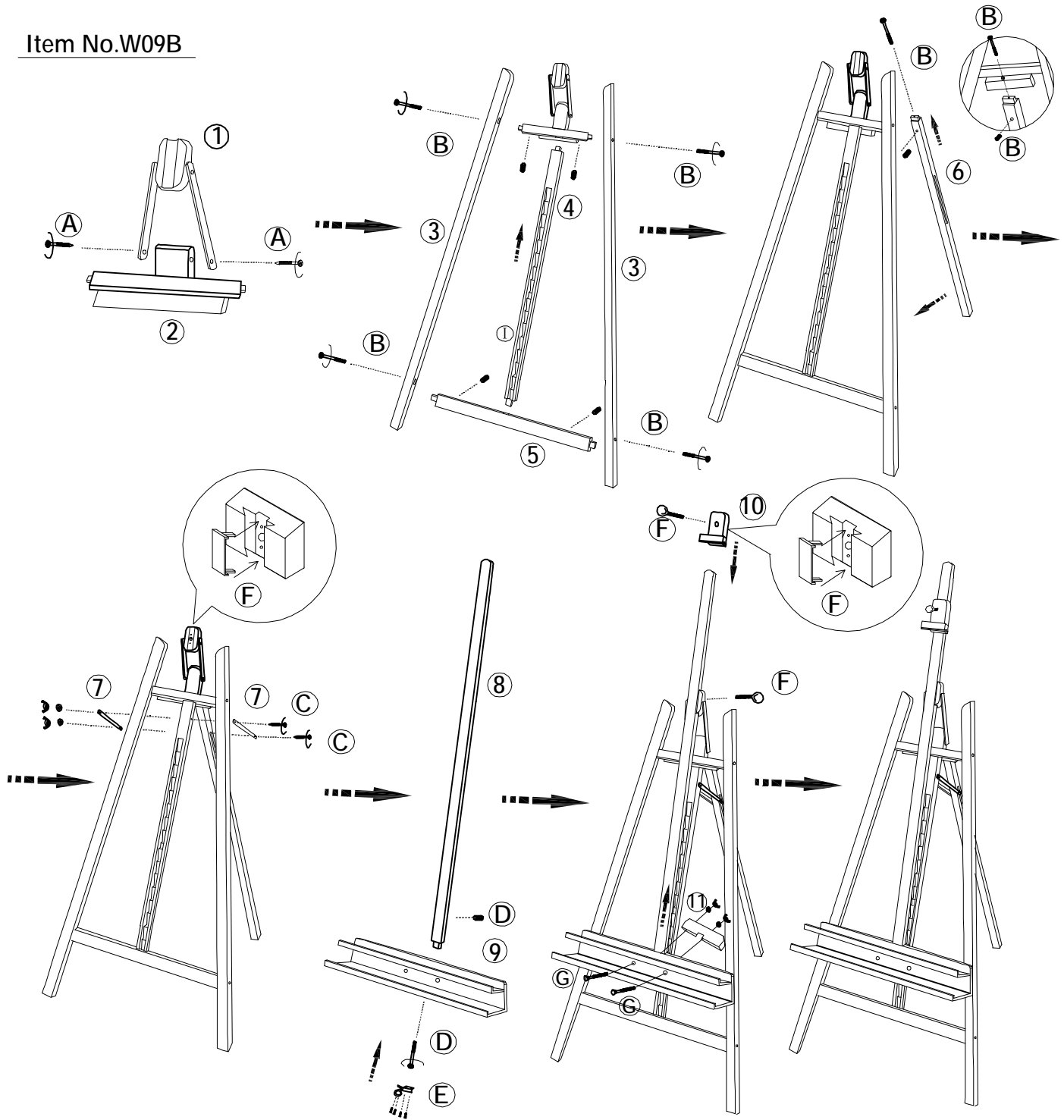


Assembly Drawing

Item No.W09B



Assembly Part list

No	Quantity	Components	No	Quantity	Components
①	1pc		⑥	1pc	
②	1pc		⑦	2pcs	
③	2pcs		⑧	1pc	
④	1pc		⑨	1pc	
⑤	1pc		⑩	1pc	
⑪	1pc				

No	Quantity	Hardwares
A	2pcs	
B	5pcs	
C	2pcs	
D	1pc	
E	1pc	
F	2pcs	
G	2pcs	