

Assembling Instruction For DHJ-4

Components



A*4



B*8



C*2



D*2

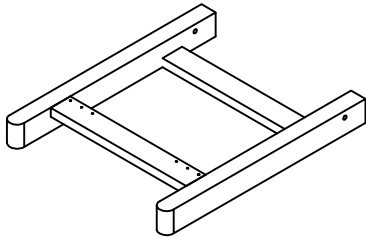


E*1

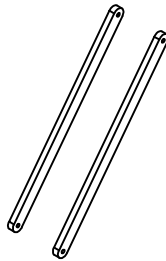


F*1

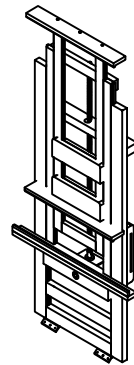
Hardware



① 1pc

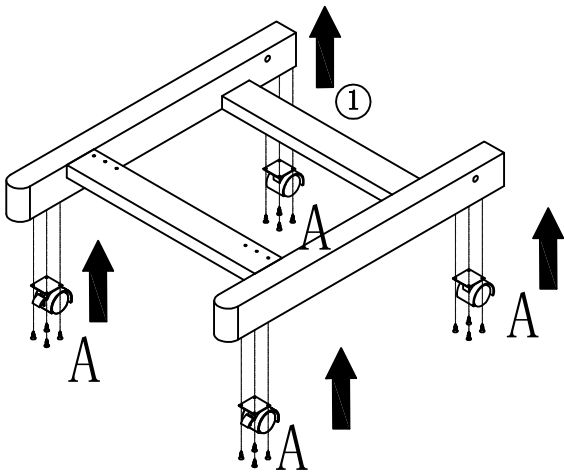


② 1pc

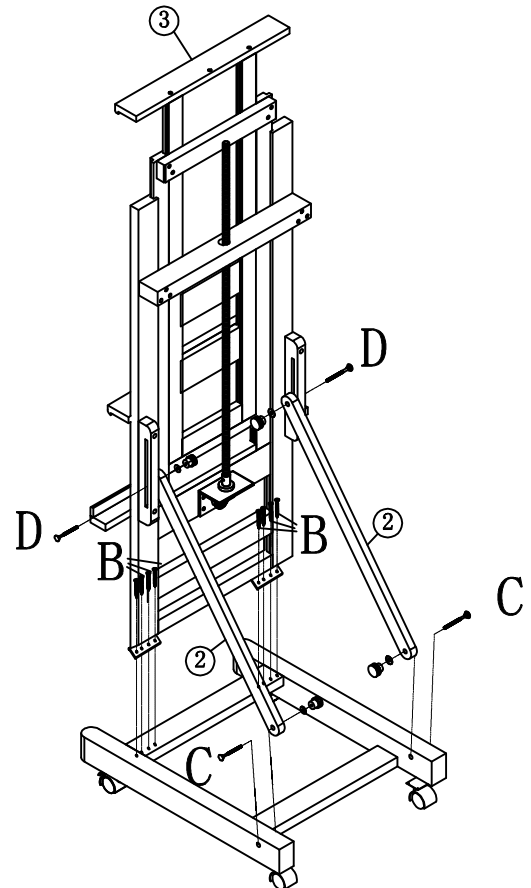


③ 1pc

①



②



③

