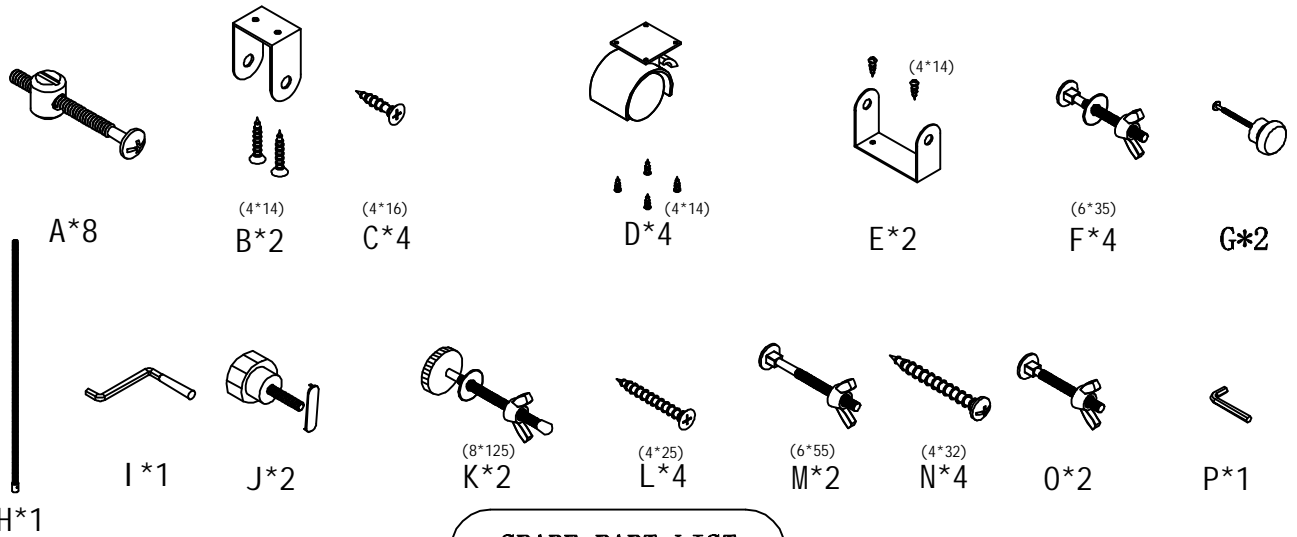
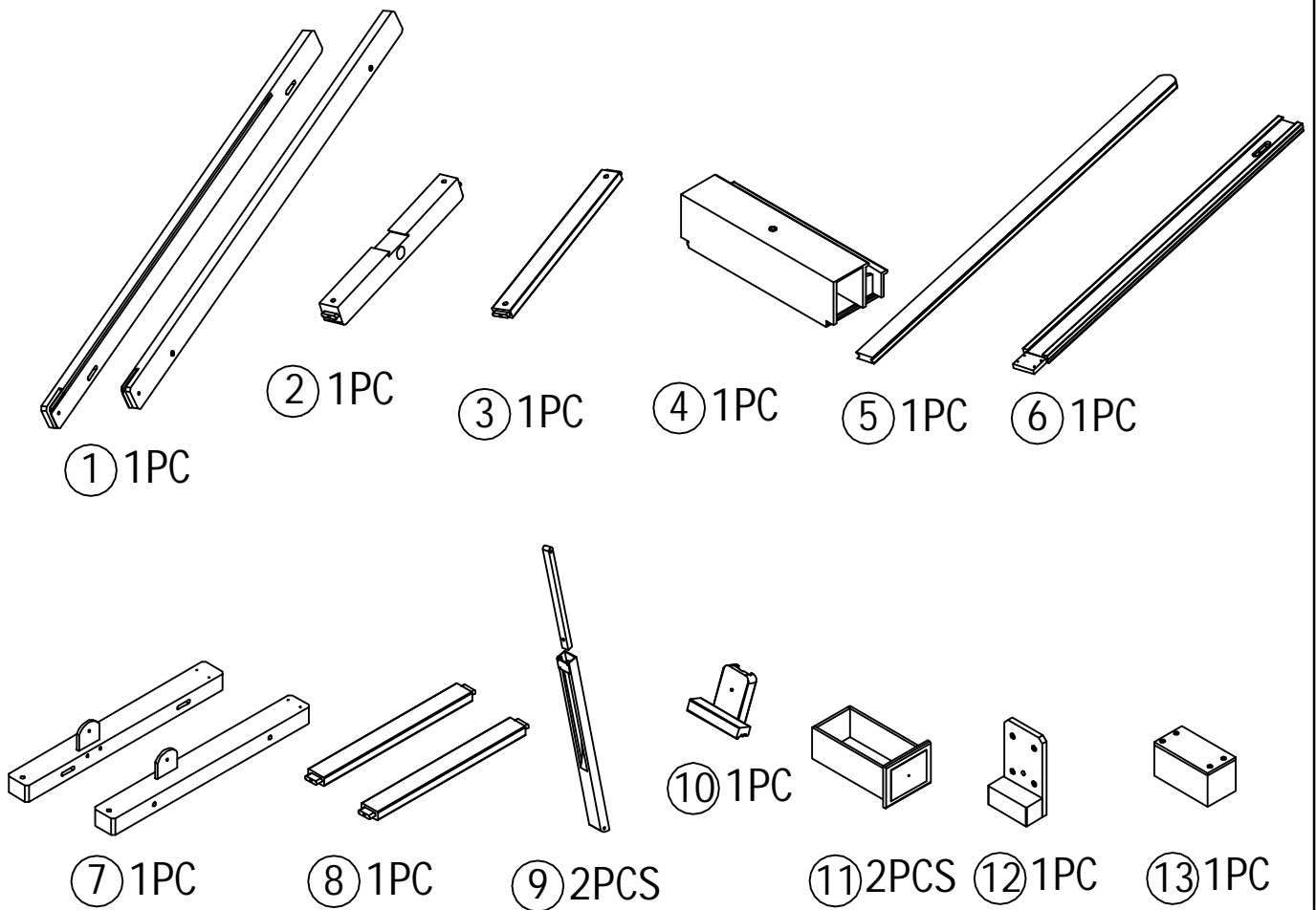


# Assembling Instruction For W15

## HARDWARE PART LIST

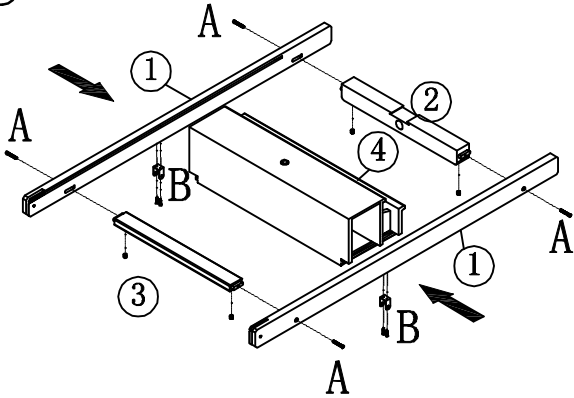


## SPARE PART LIST

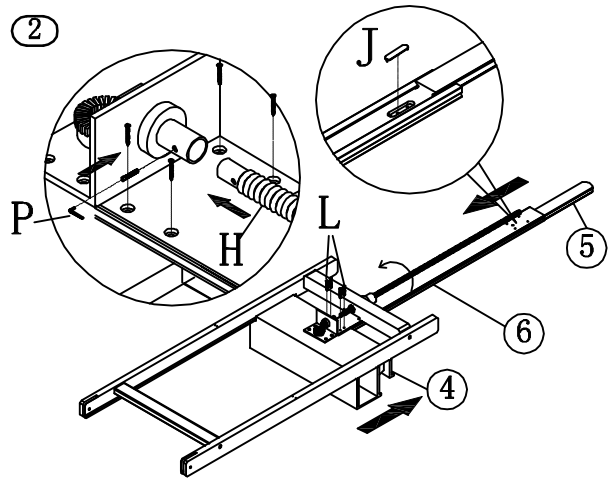


# Assembling Instruction For W15

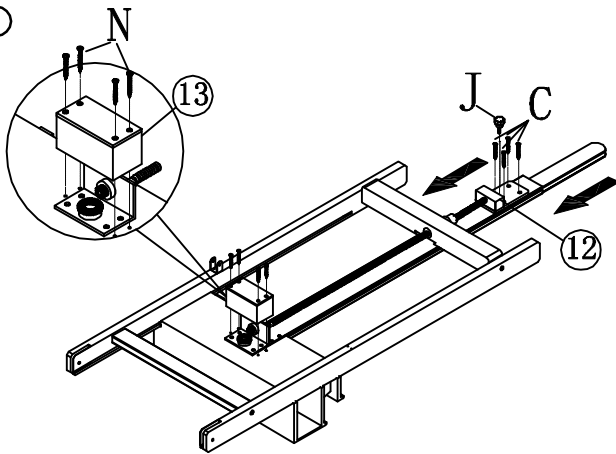
①



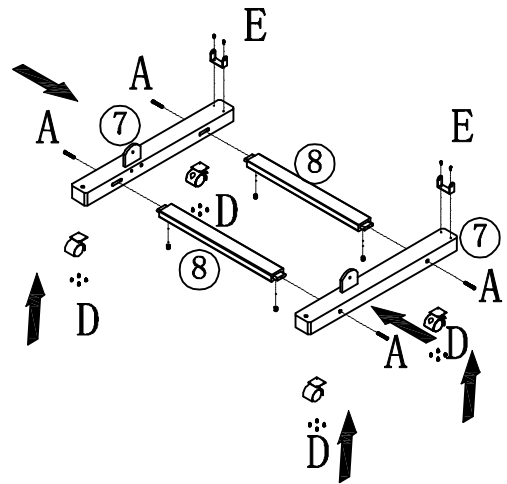
②



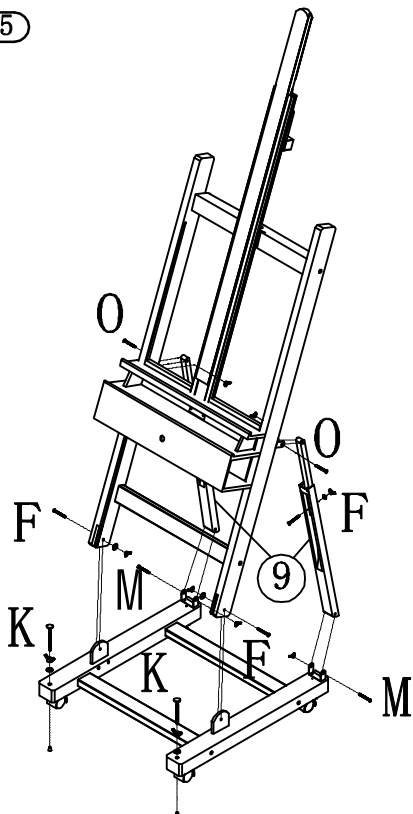
③



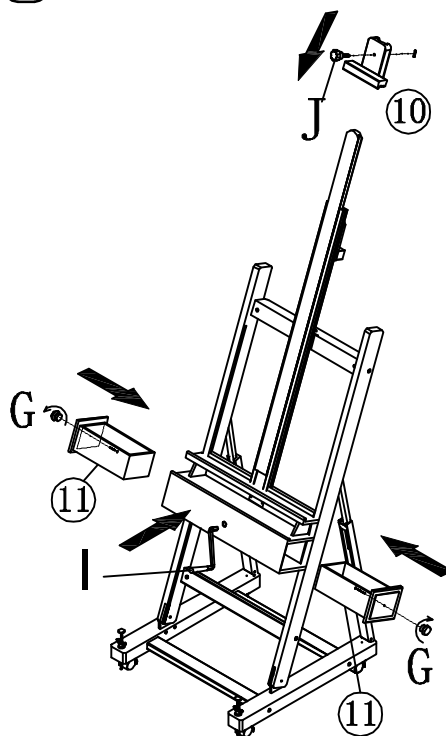
④



⑤



⑥



⑦

